

Model X EVSE-EV Charger Private/Semi-Public Use



Wall Mounted



Easy Installation



Status Screen



WiFi / RFID



White & Black

User Interface

Connectivity	WiFi / RFID.
User Identification	HNE Software Application.
Information Display	HNE Application, and OLED Status Screen.
Color	White / Black

Technical Datasheet

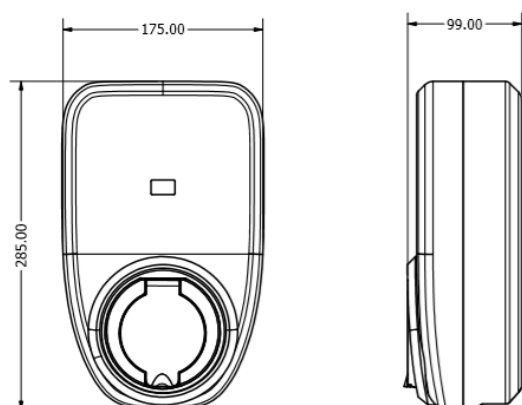
General Specifications

Model	Charging Mode	Dimensions	Weight	Standards
X	Mode 3	285x175x99mm	2.0 kg	IEC 61851-1 IEC 61851-22 IEC 62196-2

Electrical Specifications

Charging Power	7.4 kW	11 kW	22 kW
Rated Voltage	220-240 V	380-400 V	380-400 V
Rated Current	32 A (1Ph)	16 A (3Ph)	32 A (3Ph)
Rated Frequency	50/60 Hz	50/60 Hz	50/60 Hz
GFCI	25 mA	-	-
Connector Type	Type 2 Socket		
Protection Rating	IP 54		
RCD	External RCD Required		

Dimensions



Part Number

Model	Code	Rated Power
X	1	7.4 kW
X	2	11 kW
X	3	22 kW